



## Quick Installation Guide

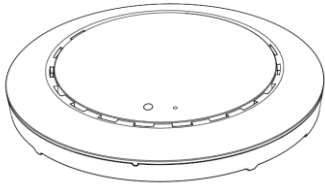
WAP-EN300C | N300 Ceiling Mount Access Point



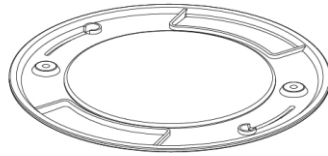
# I Product Information

---

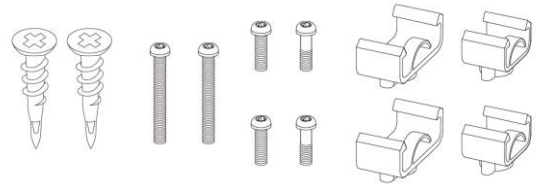
## I-1. Package Contents



**1**



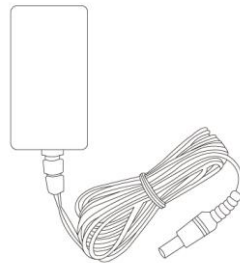
**2**



**3**



**4**



**5**

**1.** Access Point

**2.** Ceiling Mount Bracket

**3.** Drop Ceiling Mounting Kit

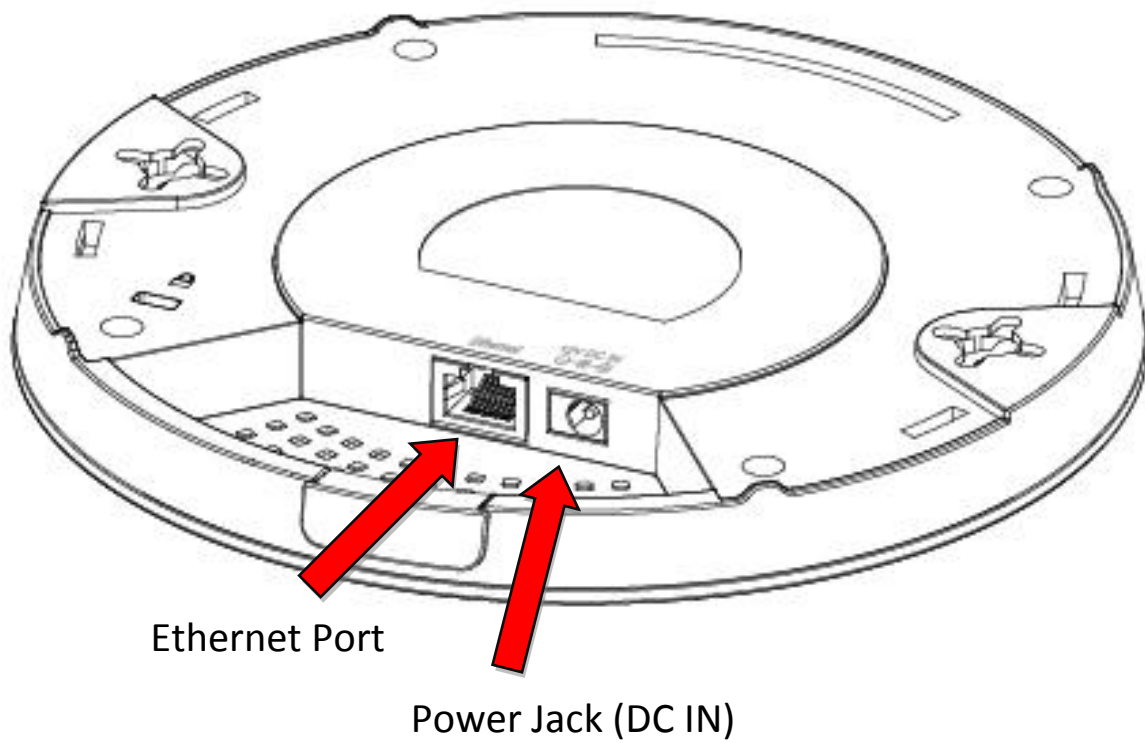
**4.** Quick Installation Guide

**5.** Power Adapter

## I-2. System Requirements

- Existing cable/DSL modem & router.
- Computer with web browser for access point configuration.

### I-3. Hardware Overview



### I-4. LED Status

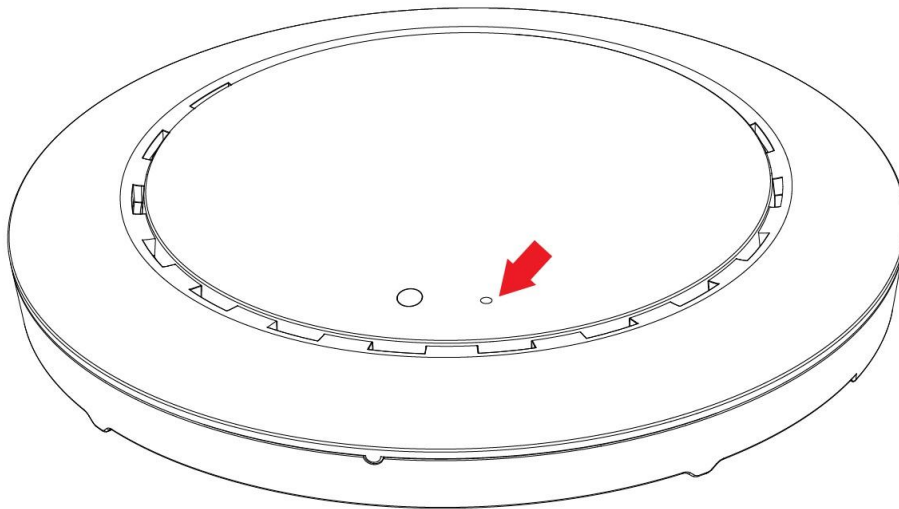
LED Color	LED Status	Description
Purple	On	The access point is starting up.
Blue	On	The access point is on.
Amber	Flashing	Error.
Off	Off	The access point is off.

## I-5. Reset

If you experience problems with your access point, you can reset the device back to its factory settings. This will reset all settings back to default.

1. Press and hold the reset button on the access point for at least 10 seconds. Then release the button.

 ***You may need to use a paperclip or pencil to push the reset button.***



2. Wait for the access point to restart. The access point is ready for setup when the LED is **Blue**.

## I-6. Mounting the access point to a ceiling

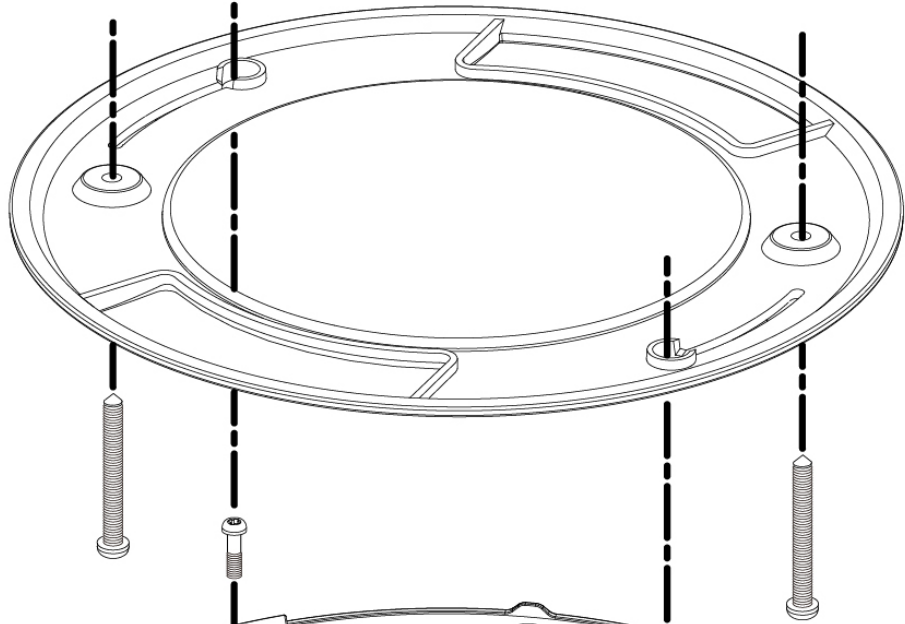
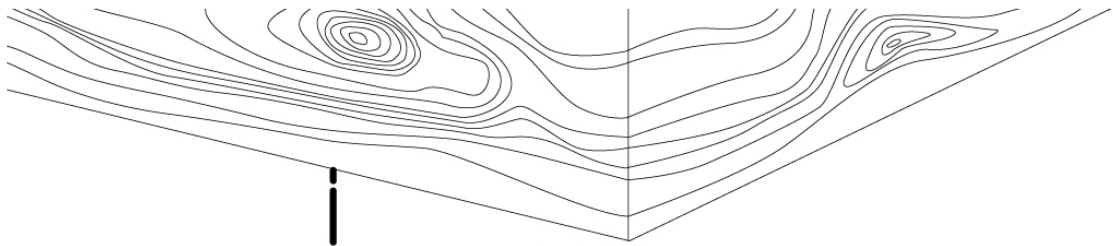
To mount the access point to a ceiling, please follow the instructions below and refer to diagrams **A & B**.

### **For Ceiling Mounting (refer to diagram A and diagram B):**

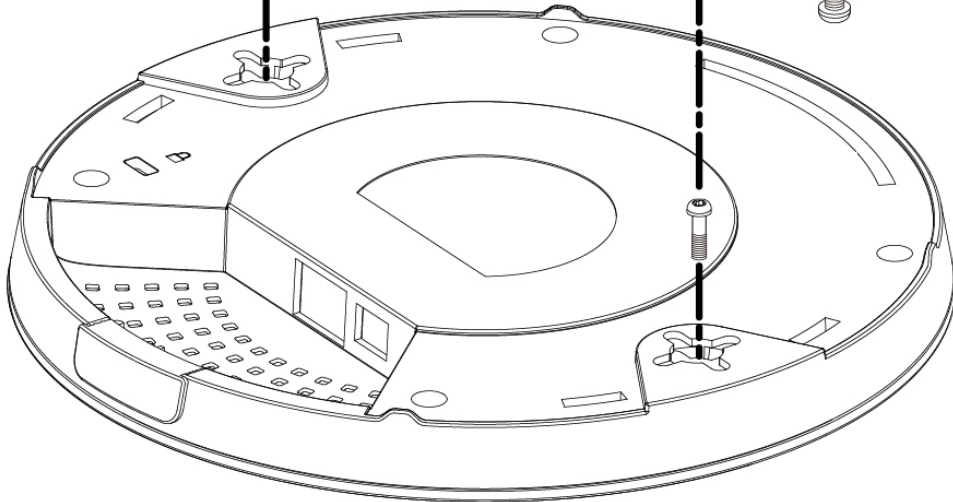
1. Using the supplied screws, attach the ceiling mounting bracket to the ceiling in the location you have selected (Diagram A). Use the included screw anchors when necessary (Diagram B). Tighten the screws to hold the bracket firmly to the ceiling.
2. Insert the two screws (see diagram) in to the wireless access point.

3. Attach the wireless access point to the ceiling bracket by inserting the heads of the screws of the access point in to the channel guides on the ceiling bracket.
4. Rotate the wireless access point to lock the access point firmly in to place.

**A**




**B**



## I-7. Drop Ceiling/Suspended Ceiling Mount

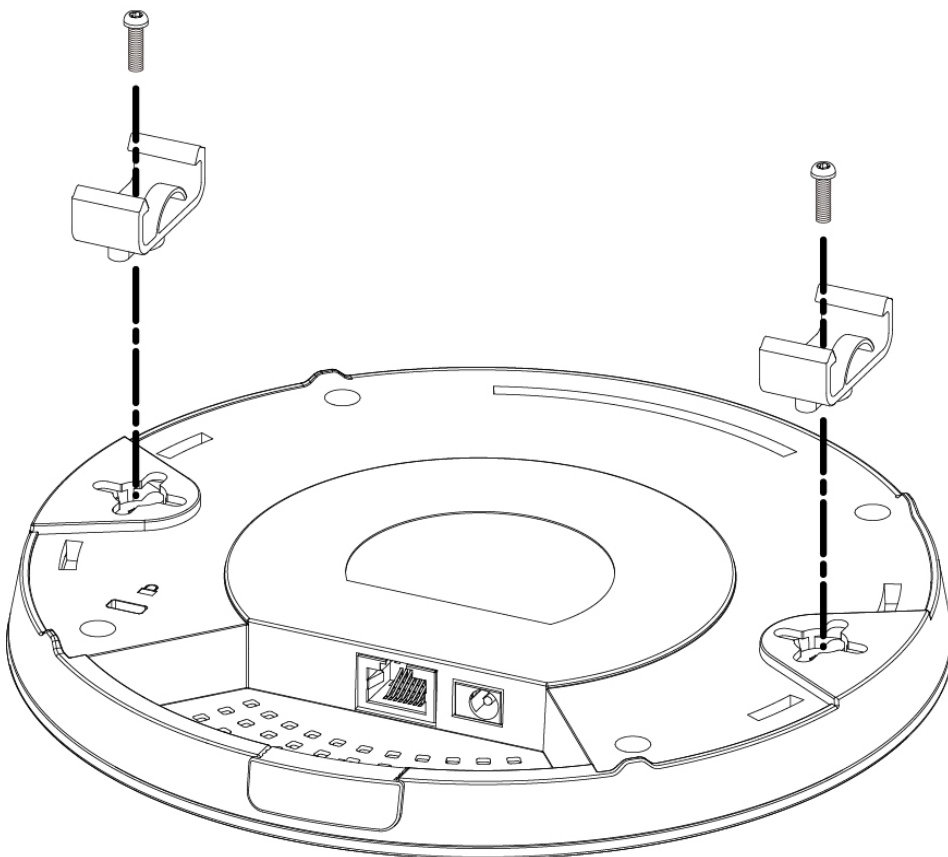
To mount the access point to a drop ceiling rail, follow the instructions below and refer to diagram **C**, **D** & **E**.

1. Select the correct size rail bracket. Two sizes have been included with this access point.
2. Attach the rail brackets to the access point as shown in Diagram C.

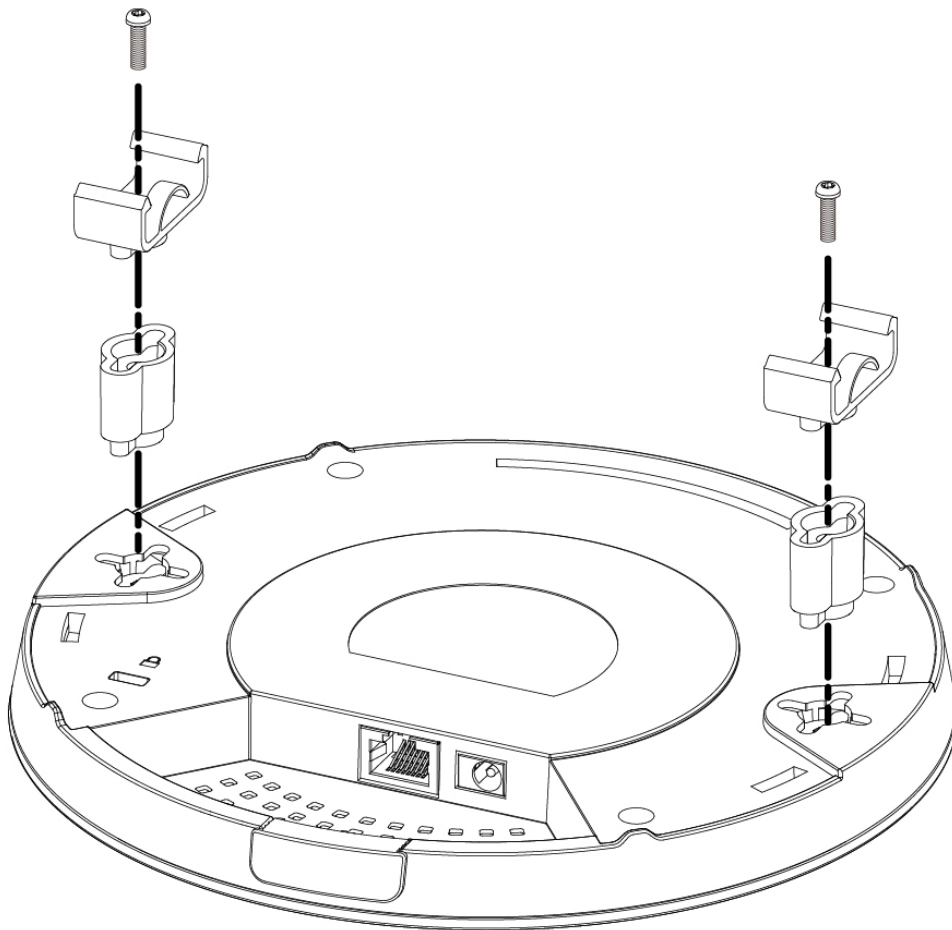
 ***If more clearance is needed between the access point and the rail, use the optional standoff between the access point and rail clip (Diagram D). Use the longer screws (included) to attach the clips to the access point.***

3. Attach the access point to the ceiling rail as shown in Diagram E.
4. Clip the access point onto your ceiling rail using the now attached rail clip.

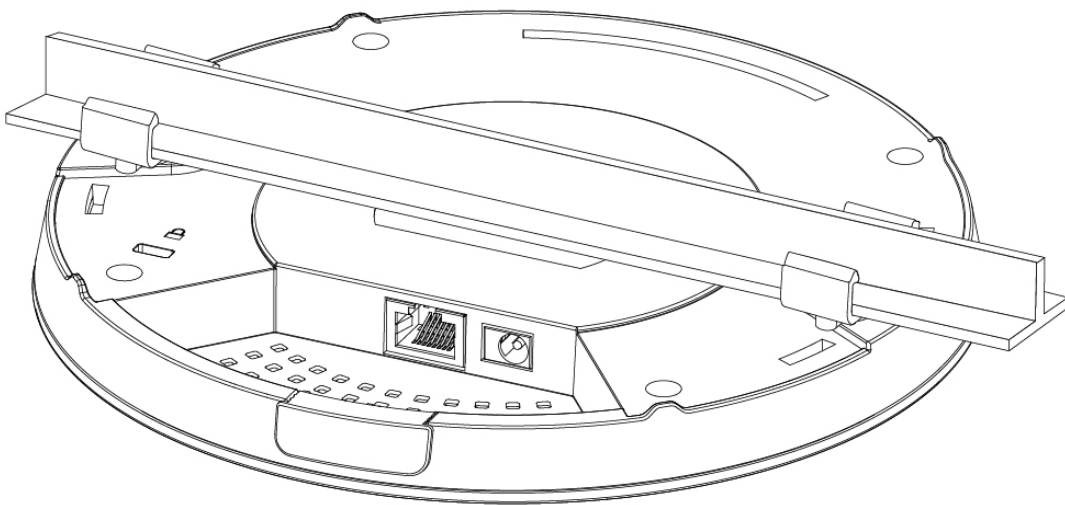
**C**



**D**



**E**





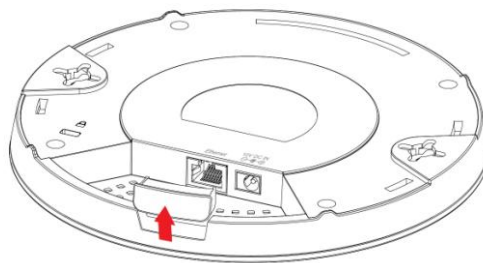
# Quick Setup

---

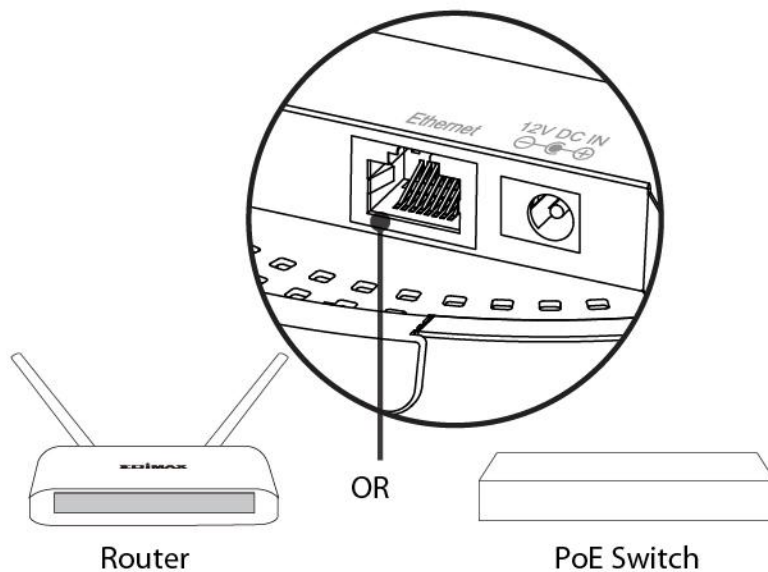
Your access point is preconfigured in a secured setup and ready for use right out of the box. The following instructions will help you install your access point and customize your settings.

## II-1. Initial Setup

1. If you need to, remove the cap from the underside of the access point. This creates extra space for your cables to pass through.



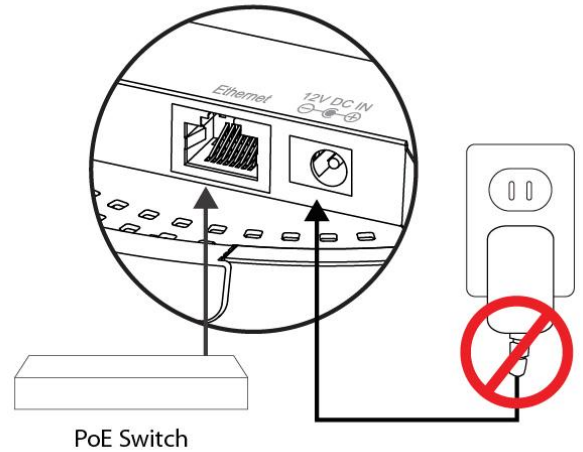
2. Connect a router or PoE switch to the access point's **LAN** port using an Ethernet cable.






3. If you are using a router, then connect the power adapter to the access point's 12V DC port and plug the power adapter into a power supply.

4. If you are using a PoE (Power over Ethernet) switch then it is not necessary to use the included power adapter, the access point will be powered by the PoE switch.

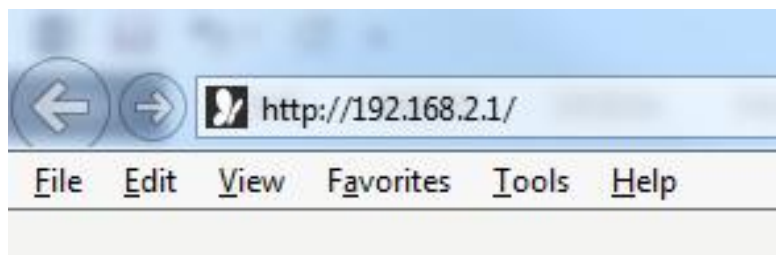


5. Wait a moment for the access point to start up. The access point is ready when the LED is **Blue**.

6. Set your computer's IP address to **192.168.2.x** where **x** is a number in the range **3 – 100**.

 ***DHCP is enabled on the access point by default. If no DHCP Service is found, the access point will default to IP address 192.168.2.1.***

7. Enter the access point's default IP address **192.168.2.1** into the URL bar of a web browser. (Default IP address of 192.168.2.1 is used when no DHCP Server is found)



8. You will be prompted for a username and password. Enter the default username "admin" and the default password "admin".



9. You will arrive at the “System Information” screen shown below.

The image is a screenshot of a web interface for a COMTREND device. The top navigation bar includes the COMTREND logo, "Home | Logout | Global (English)", and a menu with "Information", "Network Settings", "Wireless Settings", "Management", and "Advanced". The left sidebar shows a menu with "Information" selected, containing "System Information", "Wireless Clients", "Wireless Monitor", and "Log". The main content area is titled "System Information" and is divided into two sections: "System" and "Wired LAN Port Settings".

**System Information Table:**

Model	
Product Name	AP74DA38268D32
Uptime	0 day 00:03:11
Boot from	Internal memory
Version	1.0.3
MAC Address	74:DA:38:26:8D:32
Management VLAN ID	1
IP Address	192.168.0.106 <input type="button" value="Refresh"/>
Default Gateway	192.168.0.1
DNS	4.2.2.2 4.2.2.1
DHCP Server	192.168.0.1

**Wired LAN Port Settings Table:**

Wired LAN Port	Status	VLAN Mode/ID
Wired Port (#1)	Connected (100 Mbps Full-Duplex)	Untagged Port / 1

10. Follow the instructions below in **II-2. Basic Settings** to configure basic settings.

## II-2. Basic Settings

The instructions below will help you configure the following basic settings of the access point:

- **LAN IP Address**
- **2.4GHz SSID & Security**

- **Administrator Name & Password**
- **Time & Date**



***It is recommended you configure these settings before using the access point.***

- 1.** To change the access point’s LAN IP address, go to **“Network Settings” > “LAN-side IP Address”** and you will see the screen below.

LAN-side IP Address	
IP Address Assignment	DHCP Client <input type="button" value="v"/>
IP Address	192.168.2.2
Subnet Mask	255.255.255.0
Default Gateway	From DHCP <input type="button" value="v"/> <input type="text"/>

DNS Servers	
Primary Address	From DHCP <input type="button" value="v"/> <input type="text"/>
Secondary Address	From DHCP <input type="button" value="v"/> <input type="text"/>

- 2.** Enter the IP address settings you wish to use for your access point. You can use a dynamic (DHCP) or static IP address, depending on your network environment. Click **“Apply”** to save the changes and wait a few moments for the access point to reload. (Default setting is DHCP Enabled)



***When you change your access point’s IP address, you need to use the new IP address to access the browser based configuration interface instead of the default IP 192.168.2.1.***

- 3.** To change the SSID of your access point’s 2.4GHz wireless network(s), go to **“Wireless Setting” > “2.4GHz 11bgn” > “Basic”**. Enter the new SSID for your 2.4GHz wireless network in the **“SSID1”** field and click **“Apply”**.



***To utilize multiple 2.4GHz SSIDs, open the drop down menu labelled “Enable SSID number” and select how many SSIDs you require. Then enter a new SSID in the corresponding numbered fields below, before clicking “Apply”.***

2.4GHz Basic Settings	
Wireless	<input checked="" type="radio"/> Enable <input type="radio"/> Disable
Band	11b/g/n
Enable SSID number	1
SSID1	CAP-CCDD10_G VLAN ID 1
Auto Channel	<input checked="" type="radio"/> Enable <input type="radio"/> Disable
Auto Channel Range	Ch 1 - 11
Auto Channel Interval	One day <input type="checkbox"/> Change channel even if clients are connected
Channel Bandwidth	Auto
BSS BasicRateSet	1,2,5.5,11 Mbps

4. To configure the security of your access point's 2.4GHz wireless network(s), go to **“Wireless Setting” > “2.4GHz 11bgn” > “Security”**. Select an **“Authentication Method”** and enter a **“Pre-shared Key”** or **“Encryption Key”** depending on your choice, then click **“Apply”**.



*If using multiple SSIDs, specify which SSID to configure using the **“SSID”** drop down menu.*

2.4GHz Wireless Security Settings	
SSID	CAP-CCDD10_G
Broadcast SSID	Enable
Wireless Client Isolation	Disable
Load Balancing	50 / 50
Authentication Method	No Authentication
Additional Authentication	No additional authentication

5. To change the administrator name and password for the browser based configuration interface, go to **“Management” > “Admin”**.

Account to Manage This Device	
Administrator Name	admin
Administrator Password	••••• (4-32 Characters)
	••••• (Confirm)
<input type="button" value="Apply"/>	

6. Complete the **“Administrator Name”** and **“Administrator Password”** fields and click **“Apply”**.

7. To set the correct time for your access point, go to “**Management**” > “**Date and Time**”.

Date and Time Settings	
Local Time	2012 Year Jan Month 1 Day
	0 Hours 00 Minutes 00 Seconds
<input type="button" value="Acquire Current Time from Your PC"/>	
NTP Time Server	
Use NTP	<input type="checkbox"/> Enable
Server Name	<input type="text"/>
Update Interval	24 hours
Time Zone	
Time Zone	(GMT) Greenwich Mean Time: Dublin, Edinburgh, Lisbon, London

8. Set the correct time and time zone for your access point using the drop down menus. The access point also supports NTP (Network Time Protocol) so alternatively you can enter the host name or IP address of a time server. Click “Apply” when you are finished.



***You can use the “Acquire Current Time from your PC” button if you wish to set the access point to the same time as your PC.***

9. The basic settings of your access point are now configured. Please refer to **III. Hardware Installation** for guidance on connecting your access point to a router or PoE switch.



## Browser Based Configuration Interface

---

The browser-based configuration interface enables you to configure the access point's advanced features. The access point features a range of advanced functions such as MAC filtering, MAC RADIUS authentication, VLAN configurations, up to 16 SSIDs and many more. To access the browser based configuration interface:

- 1.** Connect a computer to your access point using an Ethernet cable.
- 2.** Enter your access point's IP address in the URL bar of a web browser. The access point's default IP address is **192.168.2.1**. (**Default IP address applies if No DHCP Server is detected**).
- 3.** You will be prompted for a username and password. The default username is "admin" and the default password is "admin", though it was recommended that you change the password during setup (see **II-2. Basic Settings**).



***If you cannot remember your password, reset the access point back to its factory default settings. Refer to I-5. Reset***

4. You will arrive at the “System Information” screen shown below.

The screenshot shows the COMTREND web interface. At the top, there is a navigation bar with 'Home | Logout | Global (English)'. Below this is a main menu with 'Information', 'Network Settings', 'Wireless Settings', 'Management', and 'Advanced'. The 'Information' menu is expanded, showing 'System Information', 'Wireless Clients', 'Wireless Monitor', and 'Log'. The 'System Information' page is displayed, featuring a 'System' section with a table of system details and a 'Wired LAN Port Settings' table below it.

System	
Model	
Product Name	AP74DA38268D32
Uptime	0 day 00:03:11
Boot from	Internal memory
Version	1.0.3
MAC Address	74:DA:38:26:8D:32
Management VLAN ID	1
IP Address	192.168.0.106 <input type="button" value="Refresh"/>
Default Gateway	192.168.0.1
DNS	4.2.2.2 4.2.2.1
DHCP Server	192.168.0.1

Wired LAN Port Settings		
Wired LAN Port	Status	VLAN Mode/ID
Wired Port (#1)	Connected (100 Mbps Full-Duplex)	Untagged Port / 1

5. Use the menu across the top and down the left side to navigate.

This screenshot is identical to the one above but includes red arrows and a red circle to highlight navigation elements. A red arrow points from the 'System Information' menu item in the left sidebar to the 'System Information' page title. Another red arrow points from the 'Wireless Settings' menu item in the top navigation bar to the 'System Information' page. A red circle highlights the 'Refresh' button next to the IP Address field in the system information table.

6. Click “Apply” to save changes and reload the access point, or “Cancel” to cancel changes.



***Wait a few seconds for the access point to reload after you “Apply” changes.***

IV

## Your Device is Now Connected!

**FOR MORE HELP:** For instructions on advanced features, FAQ, etc., please visit our online Product Webpage:

<http://us.comtrend.com/products/public/product/home-networking/wap-en300c.html>

**For more information:**

Facebook: <https://facebook.com/Comtrend>

Website: <http://us.comtrend.com/>

Support: Visit our website or call 1-877-COMTREND (1-877-266-8736)

