

PowerGrid903 Series Powerline/Coaxial Ethernet Solution



Description

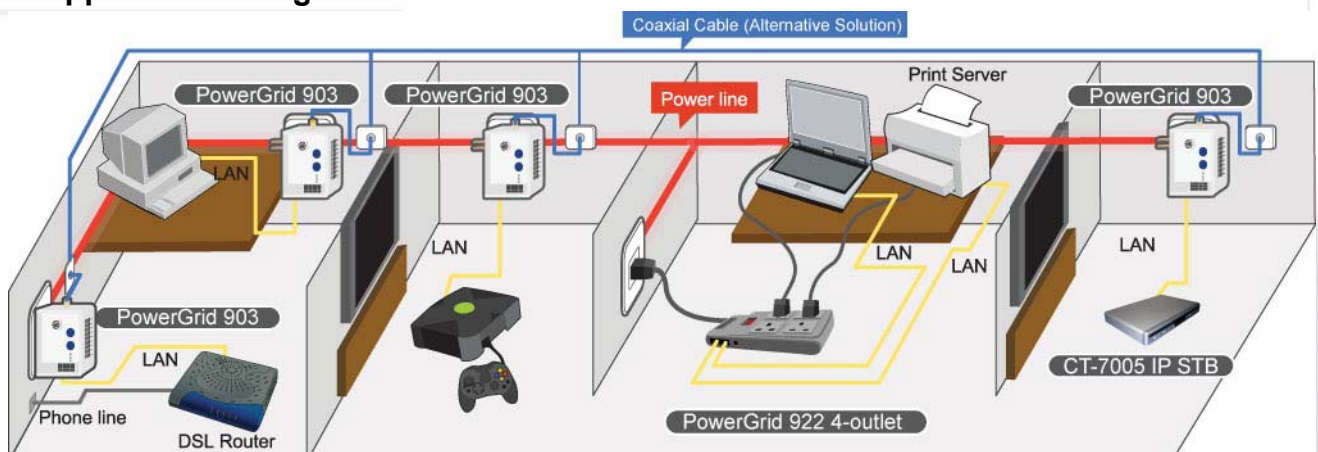
The PowerGrid903, UPA (Universal Powerline Association) compliant Ethernet adapter, provides high quality data transmission for high-speed networking. It allows users to extend a local area network via existing power lines, which eliminates the need for extra wiring. Installation in a home (or small office) is quick and easy as the PowerGrid903 comes complete with plug and play technology.

Comtrend's PowerGrid903 can achieve line rates of up to 200 Mbps. Such high speed transmission can support on-demand video, on-line gaming, multimedia downloading or other broadband uses. Sharing peripherals such as DVs, printers, scanners and digital cameras is also supported. Additionally, the PowerGrid903 features advanced encryption algorithms to safeguard your network integrity.

Features

- **High Speed Data Transmission**
Speeds of up to 200Mbps to support broadband applications such as video, gaming, digital music, file sharing, and Internet browsing in the home.
- **No Extra Wires Needed**
Homeowners can extend their local area network without the hassle of installing extra wiring since every home has its own power line network already in place.
- **Plug & Play**
Quick and easy connections with embedded plug and play. To extend a network, simply plug a pair of adapters into any two power outlets. No configuration required!
- **Better than Wireless**
Unlike wireless, Powerline technology can cover in excess of 99% of the home. It has a greater range and eliminates dead spots with no interference from interior barriers such as walls and floors.
- **More Outlets than Other Wired Solutions**
On average, there are 45 power outlets in a home. This makes it much more convenient to extend a network over power lines.
- **Security**
With advanced data encryption capability, the power line network is safe and secure.
- **F-type Coaxial connector (optional)**
Homeowners can choose to access the Internet through their cable television wiring. This provides high-quality low-interference connections upstairs, downstairs and throughout the house.

Applications Diagram



PowerGrid903 Series Powerline/Coaxial Ethernet Solution



Specifications

Interface

RJ-45 X 1 for Ethernet connection
Powerline (PowerGrid903)
Coaxial (PowerGrid903c)
Powerline & Coaxial switchable (PowerGrid903cs)

Ethernet

Standard	IEEE 802.3, IEEE 802.3u
10/100 BaseT	Auto-sense
MDI/MDX support	Yes

Modulations

OFDM, 1536 Carriers	Flexible frequency configuration
---------------------	----------------------------------

Data Rate

Up to 200Mbps

Management

HTTP Web-based management; Firmware upgrade via TFTP

Security

Mixed DES/3DES and AES encryption guarantees total data security

Network Protocols

802.1D Ethernet Bridge	Yes
802.1Q VLAN	Yes
Quality of Service (QoS)	Yes

Power

110-240 VAC, power consumption less than 5W.

Environment Conditions

Operating temperature	0 ~ 40 degrees Celsius
Relative humidity	10 ~ 90% (non-condensing)

Dimensions

74 mm (W) x 94 mm (H) x 40 mm (D)

Note: Specifications are subject to change without notice.

Taiwan:
3F-1, No.10, Lane 609, Chung Hsin Road Section 5, San
Chung, Taipei, Taiwan 24159
Tel: 886-2-2999-8261
Fax: 886-2-2999-8497

China:
NO.88 East QianJin Road,Kunshan City,JiangSu,China
Tel: 86-512-57383156, 86-512-57383157,
86-512-57384515
Fax: 86-512-57383155

Spain:
Edif. América II C/Prócion,7 portal 3 bajo H 28023 Madrid,
Spain
Tel: 34-917990403
Fax: 34-913510999

UK:
566 Chiswick High Road Building 3, Chiswick Park Chiswick -
London, W4 5YA UK
Tel: 44-0-8453701031
Fax: 44-0-8453701032

France:
87, Rue du Gouverneur Général Félix Eboué 92130
Issy-les-Moulineaux, France
Tel: 33-1-70715700
Fax: 33-1-70715701

Czech Republic:
TOKOVO Jankovcova 1518/2, 170 00, Prague 7, Czech
Republic
Tel: 420-266-782040
Fax: 420-266-782990

USA & Canada:
15375 Barranca Parkway, Suite C-104 Irvine, CA 92618,
USA
Tel: 1-949-7539640
Fax: 1-949-7539020

Brazil:
Al. Campinas, 977 - 7º. Floor - Room 71 / 72 - Jardins
Zip Code: 01404-001 - São Paulo - SP - Brazil
Tel: 00 55 11 3052-2295
Fax: 00 55 11 3052-2295



COMTREND CORPORATION

Global contact: sales@comtrend.com

Website: www.comtrend.com



DS_PowerGrid903_R1.0_071408